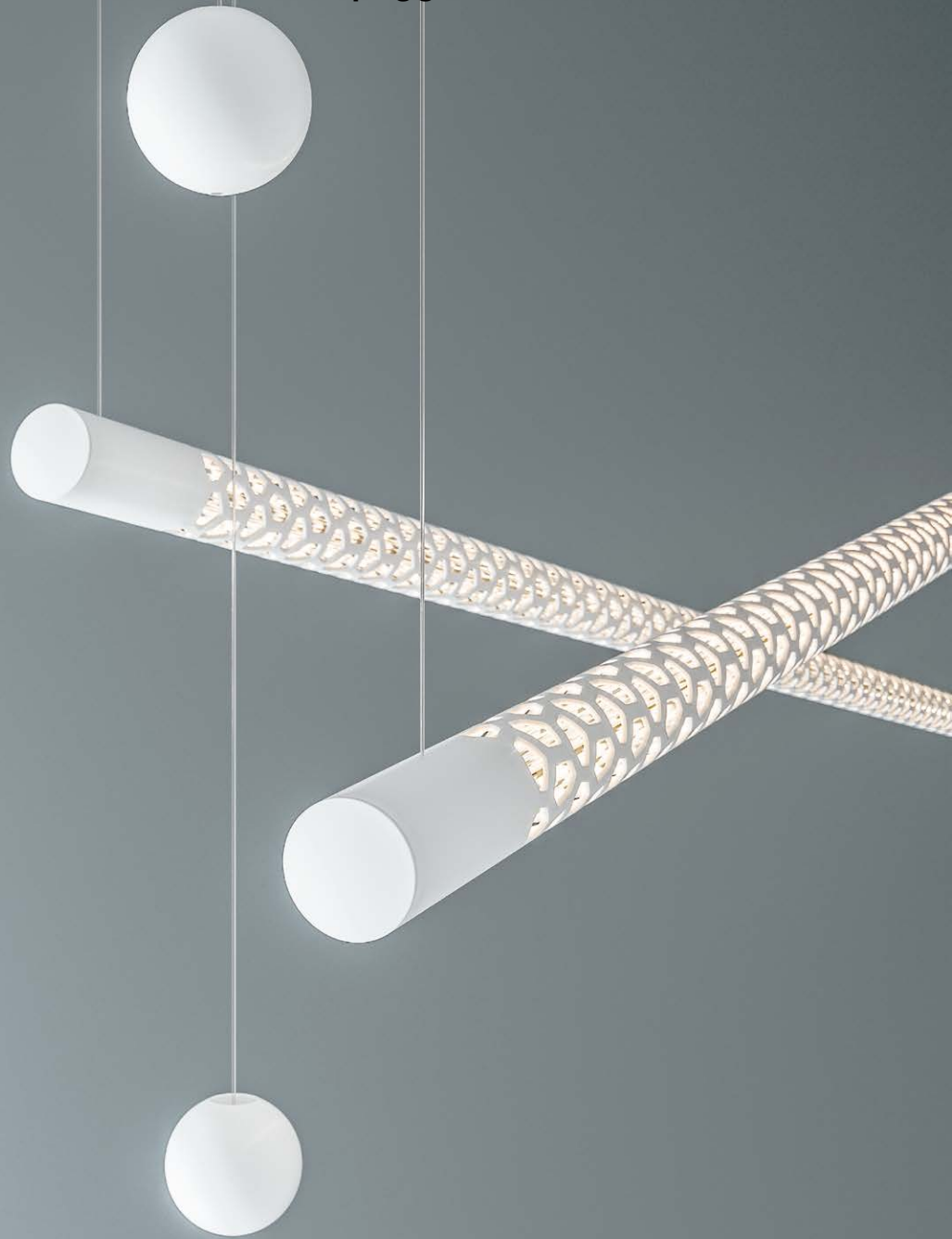


12
Squiggle



Design
Paolo Rizzatto

Year
2017-20

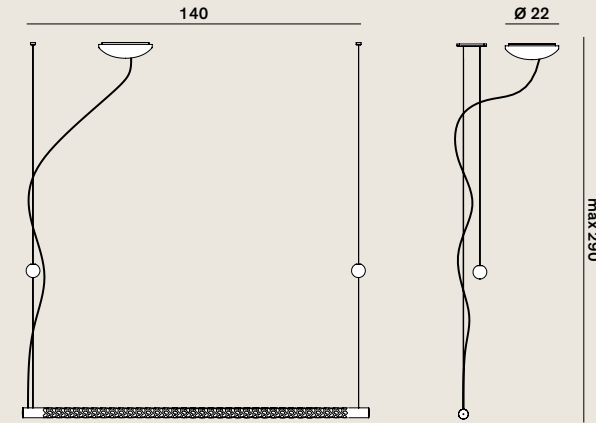
Category:
Suspension / Floor



13

Squiggle: Suspension

cod: H8

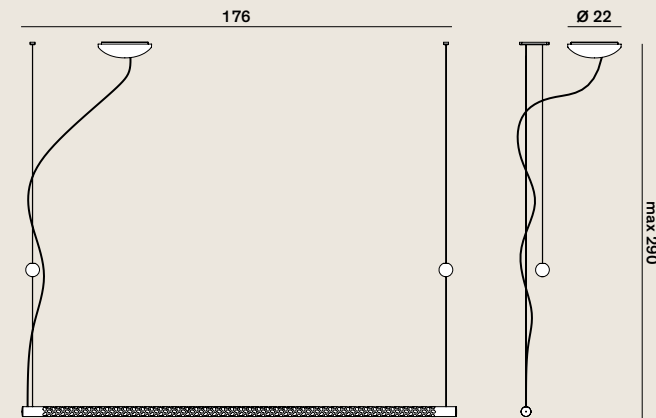


Light Source	MID POWER LED
Power	36 Watt
Kelvin	2.700
Dimmer	push, dali, 0/1-10 V, casambi
Lumen	2.500
CRI	90

Class **A / A+ / A++**

Squiggle: Suspension

cod: H9



Light Source	MID POWER LED
Power	39 Watt
Kelvin	2.700
Dimmer	push, dali, 0/1-10 V, casambi
Lumen	2.700
CRI	90

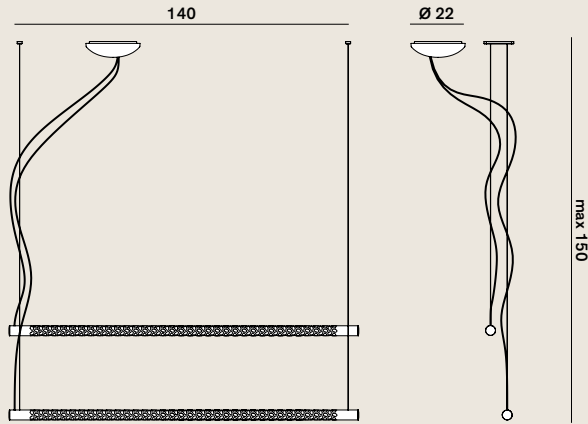
Class **A / A+ / A++**

Catalogue



Squiggle: Suspension

cod: H10

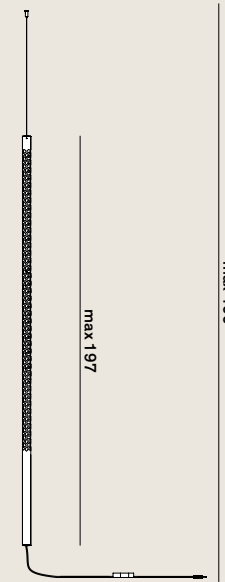


Light Source	MID POWER LED
Power	72 Watt
Kelvin	2.700
Dimmer	push, dali, 0/1-10 V, casambi
Lumen	5.050
CRI	90

Class **A / A+ / A++**

Squiggle: Suspension

cod: H12

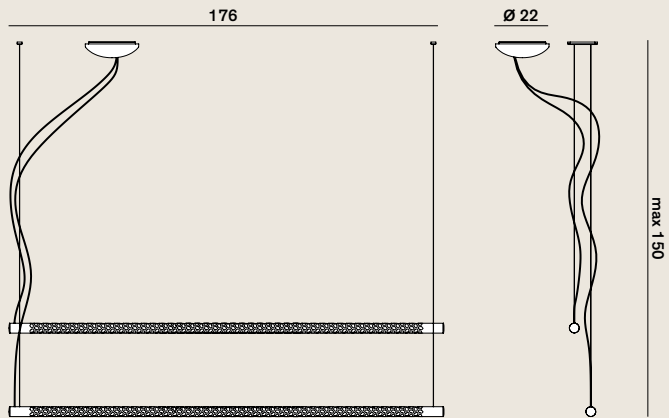


Light Source	MID POWER LED
Power	34 Watt
Kelvin	2.700
Dimmer	foot
Lumen	2.400
CRI	90

Class **A / A+ / A++**

Squiggle: Suspension

cod: H11

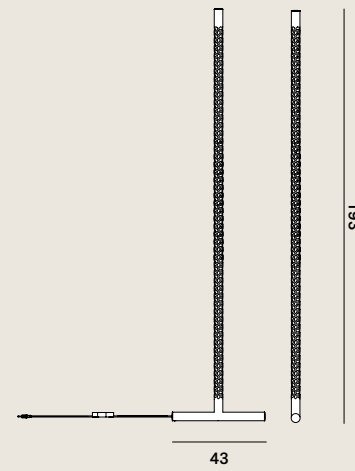


Light Source	MID POWER LED
Power	78 Watt
Kelvin	2.700
Dimmer	push, dali, 0/1-10 V, casambi
Lumen	5.500
CRI	90

Class **A / A+ / A++**

Squiggle: Floor

cod: F1



Light Source	MID POWER LED
Power	43 Watt
Kelvin	2.700
Dimmer	foot
Lumen	3.000
CRI	90

Class **A / A+ / A++**



Catalogue

